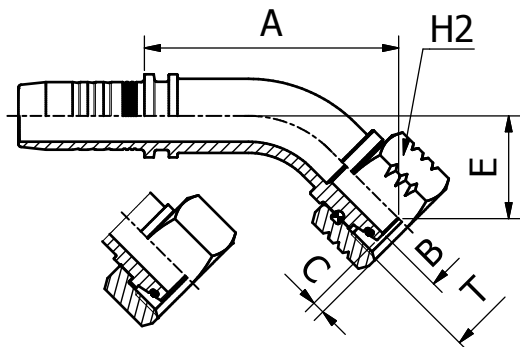


DIN STANDARD CONNECTIONS

M21542/M21543

**45° METRIC O-RING FEMALE SWEPT ELBOW
24° CONE LIGHT DUTY
DIN 20066 / ISO 12151-2**



PART. REF.	HOSE BORE			Thread	Pipe	DIMENSIONS mm					
	DN	Dash	inch	T	mm	B	A	C	E	H2	
M21542-04-12	6	- 4	1/4"	M 12X1.5	6.0	3.0	39.0	2.2	18.0	17.0	
M21542-06-16	10	- 6	3/8"	M 16X1.5	10.0	6.0	47.5	3.0	21.5	19.0	
M21542-08-18	12	- 8	1/2"	M 18X1.5	12.0	7.0	56.5	2.9	25.0	22.0	
M21542-10-22	16	- 10	5/8"	M 22X1.5	15.0	9.3	65.5	3.0	29.0	27.0	
M21542-12-26	19	- 12	3/4"	M 26X1.5	18.0	12.5	73.0	2.3	31.0	32.0	
M21542-20-36	31	- 20	1.1/4"	M 36X2	28.0	19.8	107.5	5.0	44.0	41.0	
M21542-24-36	38	- 24	1.1/2"	M 36X2	28.0	19.8	113.0	5.0	34.5	41.0	
M21543-03-12	5	- 3	3/16"	M 12X1.5	6.0	3.0	35.0	0.7	16.0	14.0	
M21543-04-14	6	- 4	1/4"	M 14X1.5	8.0	4.0	38.0	1.3	16.5	17.0	
M21543-04-16	6	- 4	1/4"	M 16X1.5	10.0	6.0	38.0	1.8	17.0	19.0	
M21543-04-18	6	- 4	1/4"	M 18X1.5	12.0	7.0	38.5	2.0	17.5	22.0	
M21543-05-16	8	- 5	5/16"	M 16X1.5	10.0	6.0	41.5	1.8	17.5	19.0	
M21543-05-18	8	- 5	5/16"	M 18X1.5	12.0	7.0	41.5	2.0	17.0	22.0	
M21543-06-18	10	- 6	3/8"	M 18X1.5	12.0	7.0	43.5	2.0	16.5	22.0	
M21543-06-22	10	- 6	3/8"	M 22X1.5	15.0	9.3	45.0	1.5	18.0	27.0	
M21543-08-22	12	- 8	1/2"	M 22X1.5	15.0	9.3	52.0	1.5	19.0	27.0	
M21543-08-26	12	- 8	1/2"	M 26X1.5	18.0	12.5	52.5	2.0	19.5	32.0	
M21543-10-26	16	- 10	5/8"	M 26X1.5	18.0	12.5	62.0	2.0	26.5	32.0	
M21543-12-30	19	- 12	3/4"	M 30X2	22.0	15.0	71.0	3.0	28.5	36.0	
M21543-12-36	19	- 12	3/4"	M 36X2	28.0	19.8	72.0	3.7	30.0	41.0	
M21543-16-36	25	- 16	1"	M 36X2	28.0	19.8	85.0	3.7	32.0	41.0	
M21543-20-45	31	- 20	1.1/4"	M 45X2	35.0	26.0	100.0	4.0	36.0	50.0	
M21543-20-52	31	- 20	1.1/4"	M 52X2	42.0	32.0	100.0	4.5	42.0	60.0	
M21543-24-52	38	- 24	1.1/2"	M 52X2	42.0	32.0	117.0	4.5	44.5	60.0	